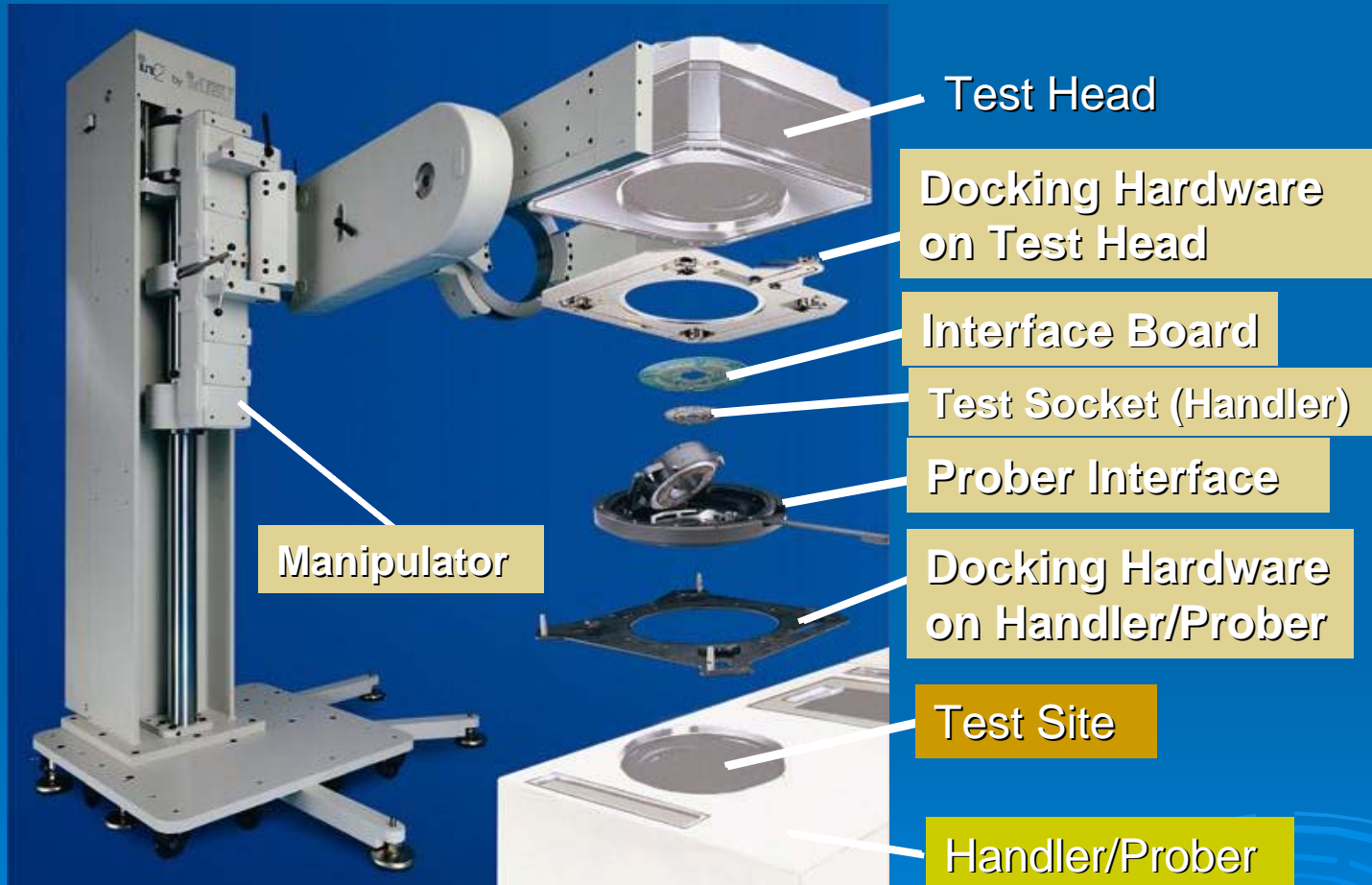
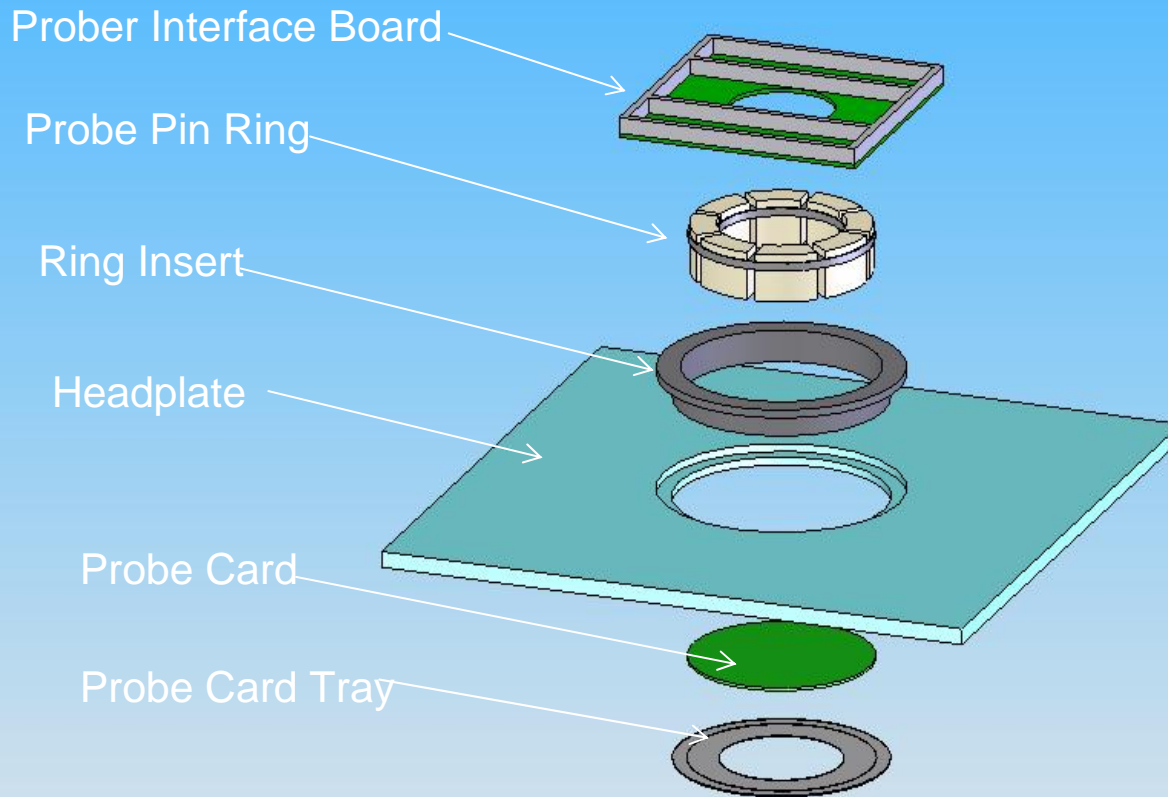


# Typical IC Tester Docking System

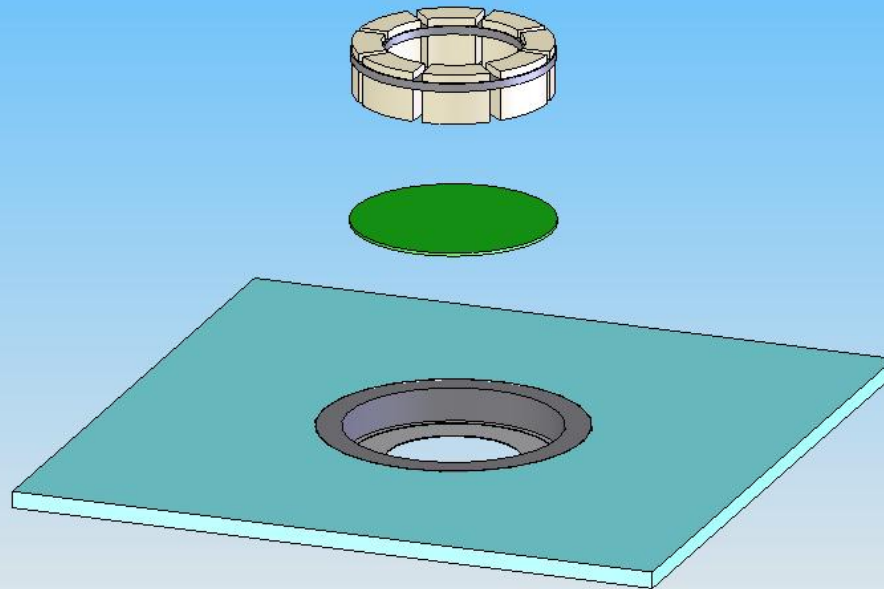


AGM Technicial Solutions, LLC.  
480-794-1210  
[www.agmtechsol.com](http://www.agmtechsol.com)

# Basic Probe Hardware



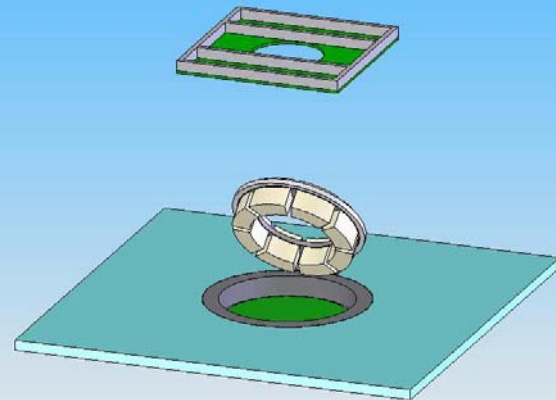
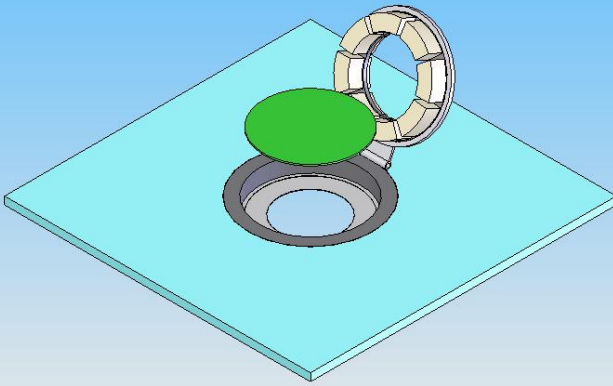
# Basic Probe Hardware EX: TOP LOADING



AGM Technical Solutions, LLC.  
480-794-1210  
[www.agmtechsol.com](http://www.agmtechsol.com)

# Basic Probe Hardware

## EX: Hinged “top loading”



AGM Techncial Solutions, LLC.  
480-794-1210  
[www.agmtechsol.com](http://www.agmtechsol.com)

# Basic Probe Hardware

## EX: pogo towers

### Catalyst Pogo Towers

9" no float tower

#### 46-63635 9" NO FLOAT TOWER, High Pin Count (HPC)

- 8 Coax Signal Modules w/576 Total Pins
- 3 Utility Modules w/246 Total Pins
- Interior Application Space: 15.2 square inches on Probe Card

9" LPC tower

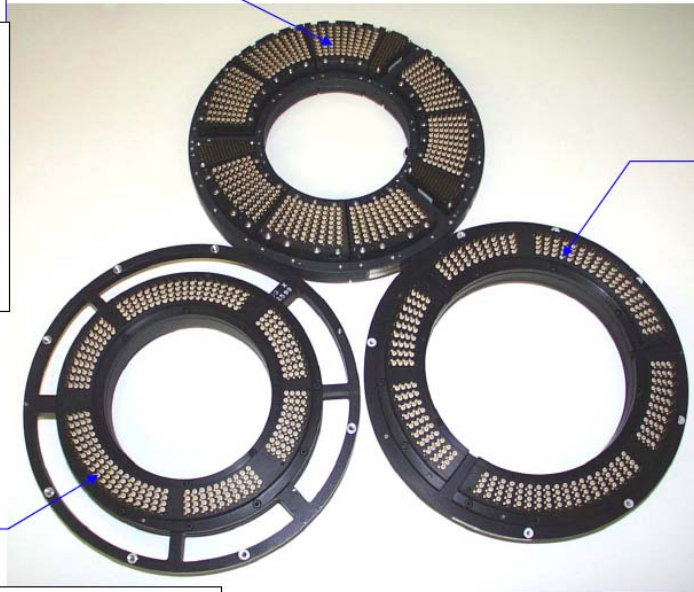
#### 46-63644 9" Low Pin Count (LPC) TOWER

- 300 Signal Pins
- 73 Utility Pins
- Maximizes Interior Application space on the Probe Card: 26 sq.in.

6"no float tower

#### 46-63262 6" TOWER

- 300 Signal Pins
- 75 Utility Pins
- Maximizes Interior Application space on the PIB; 15.2 square inches on Probe Card

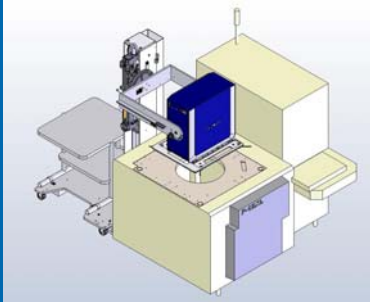


AGM Technical Solutions, LLC.

480-794-1210

[www.agmtechsol.com](http://www.agmtechsol.com)

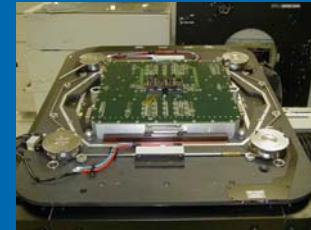
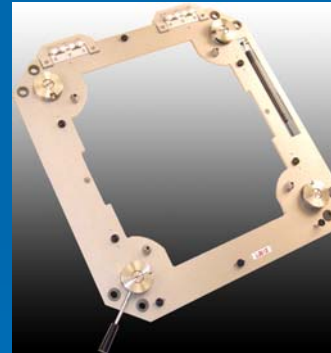
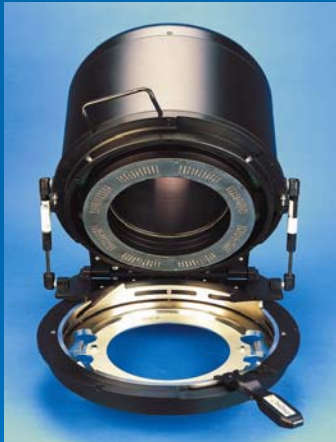
# Tester Docking Example Solutions



Cable Dock Solution



D10 on Accretech UF200



AGM Technical Solutions, LLC.  
480-794-1210  
[www.agmtechsol.com](http://www.agmtechsol.com)